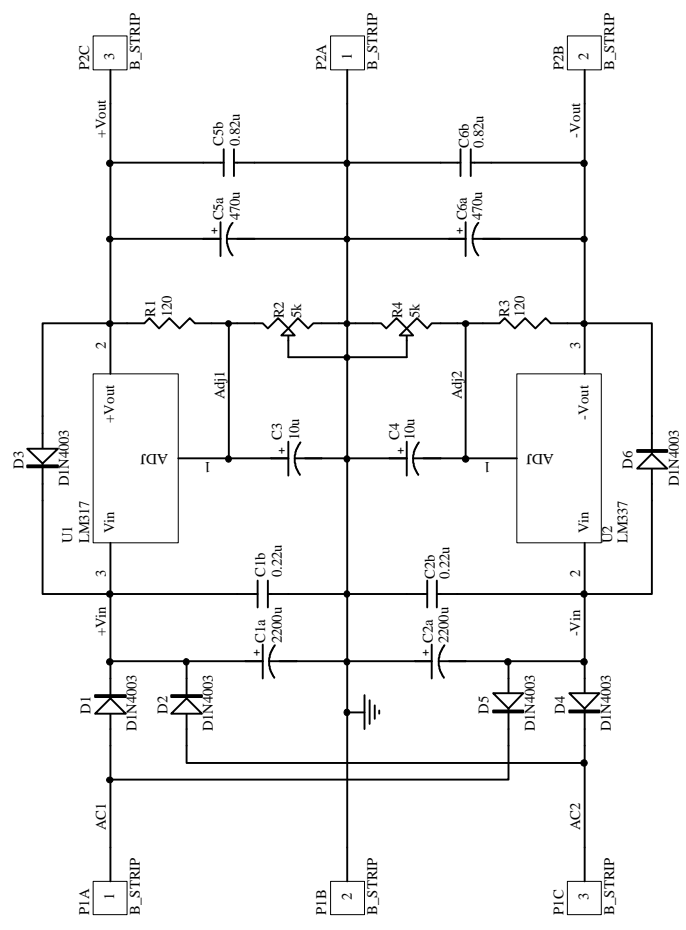


D

C

B

A



Notes:
 All electrolytics 35V radial
 R1 & R3: 1/2W metal film
 R2 & R4: linear taper pot, 1/2W min
 Input transformer: max 48VCT (24-0-24) +/-10%

Title Adjustable Dual Polarity Power Supply

Size	Number	Revision
Letter		1

Date: 22-Feb-2000
 File: C:\WORK\PROTEL_DUAL_PSUPSUA.PWB
 Sheet 1 of 1
 Drawn By: Jason M. Neal

D

C

B

A

